

ARO® 2" Non-metallic Pulsation Dampener

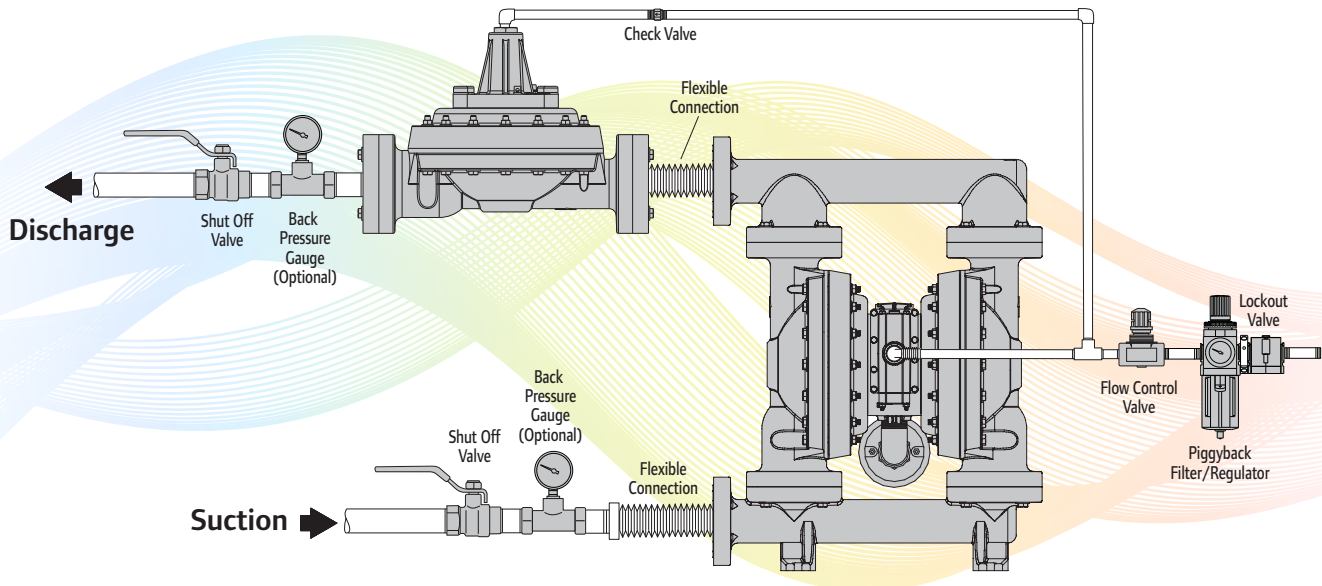
Automatically reduces the pressure fluctuation found in normal diaphragm pump operation and can help eliminate material foaming, hydraulic shock or material splashing.



SB20P-APS-X
(SB20P-BPS-X)

Automatic Shock Blocker®

- ▶ **Automatic Air Adjustment** - compensates for fluctuations in fluid pressure without operator intervention.
- ▶ **Significant Pulsation Reduction** - Shock Blockers deliver an average 60% - 80% pulsation reduction in high back pressure applications.
- ▶ **Built for high-flow/aggressive fluid applications** - contains up to 0.9 Gal (3.38L) of fluid volume.
- ▶ **Broad Material Range for Compatibility**, Polypropylene fluid section with a choice of PTFE, Santoprene, Viton or Nitrile diaphragms for optimum fluid compatibility.
- ▶ **Perfect for Process Applications** - pulsation reduction in long piping runs help prevent costly fluid pipe and downstream valve damage.
- ▶ **Bolted construction** - for leak-free vessel integrity and a safer work-site.
- ▶ **Ultra-Rugged Construction for long service life**- both inside and out, the Shock Blockers are built tough to deliver worry-free, near pulse-free fluid handling.



See reverse side for additional information.

Ordering

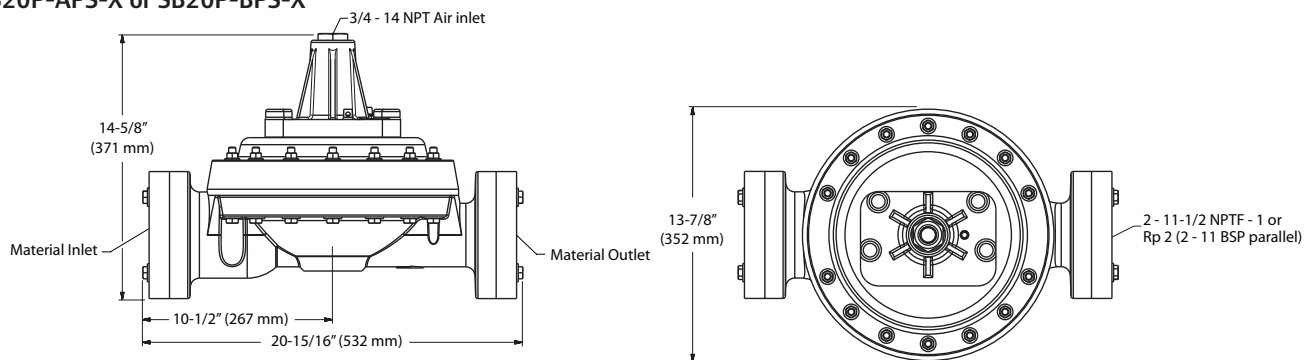
Position	1	2		3	4	5		6
Example:	SB20	P	-	X	P	S	-	X

Position 1 Model and Size	Position 2 Air Section	Position 3 Fluid Connection	Position 4 Fluid Section	Position 5 Hardware	Position 6 Diaphragm Material
SB20 - 2"	P - Polypropylene/ Aluminum R - Polypropylene/ Stainless Steel	A - 2-11-1/2 NPTF-1 B - Rp 2 (2-11 BSP, parallel) F - 2" ANSI/DIN Flange Inlet and Outlet K - 2" ANSI/DIN Flange Inlet/ NPTF Outlet L - 2" ANSI/DIN Flange Inlet/ BSPP Outlet	P - Polypropylene	S - Stainless Steel	A - Santoprene® G- Nitrile T - PTFE / Santoprene® V - Viton®

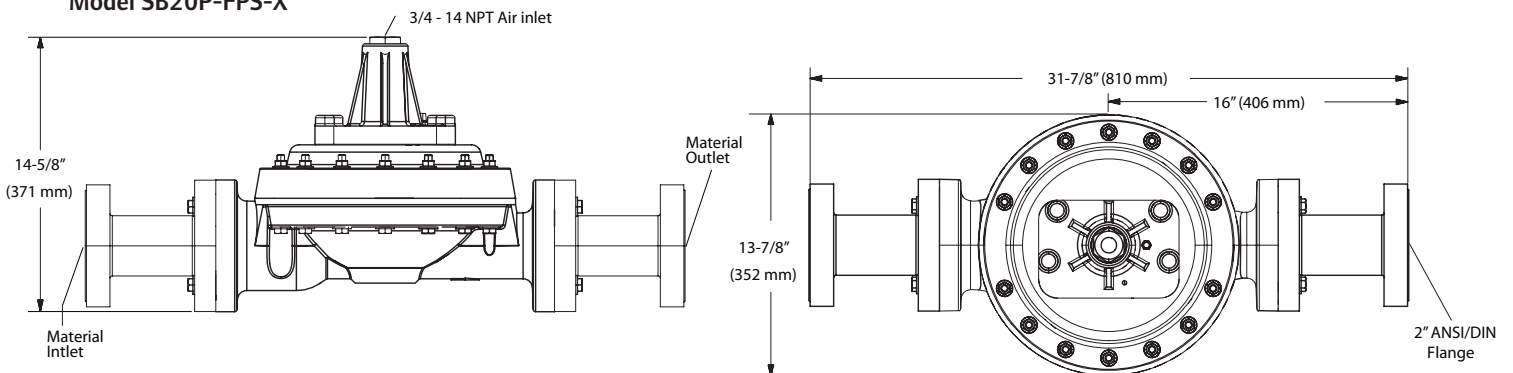
Viton® is a registered trademarks of the DuPont company. Santoprene® is a registered trademark of Monsanto Company, licensed to Advanced Elastomer Systems, L.P.

Dimensions Dimensions shown are for reference only, they are displayed in inches and millimeters (mm).

SB20P-APS-X or SB20P-BPS-X



Model SB20P-FPS-X



SB20P-KPS-X or SB20P-LPS-X

